



Assembly manual

Water connection (7009.97)

Introduction

Foreword

The installation procedures described in this assembly manual should only be undertaken by a Hako service centre or a workshop authorised by Hako. Members of staff with the required level of training and expertise are only guaranteed in the said workshops.

This assembly manual may be used only in conjunction with the operating manual of the machine.

Safety instructions

Please observe the general safety regulations of the corresponding machine in the relevant operating manual.

Place the machine on a level surface and secure it with the parking brake. Switch off the machine, unplug the battery connector and remove the key.

We would expressly advise you that no legal claims may be asserted based on the contents of this manual. In the case of necessary repair work, please make sure that only original spare parts are used. Only original spare parts guarantee constant and reliable operational readiness of your machine. We reserve the right to make changes in the interests of further technical development.

Valid as from: January 2020

Hako GmbH
23843 Bad Oldesloe, Germany
Hamburger Str. 209-239
Phone +49 4531 806-0

1 Water connection

The water connection is needed for the spray nozzle (7009.35) and spray suction tool (7009.10) options, and for automatic squeegee cleaning.

The installation and operation of the options is described in the associated operating manual.

1.1 Parts list

- 1 1x tool connection, pre assembled.
- 2 2x flange button head bolts M5x12 (TORX)
- 3 1x hose, pre-assembled.
- 4 1x hose 2250 mm
- 5 1x hose 80 mm
- 6 1x hose clamp A-12 W1-2
- 7 4x hose clamp 18-8 W4
- 8 1x hose, pre-assembled.
- 9 1x hose, pre-assembled.
- 10 Cable ties

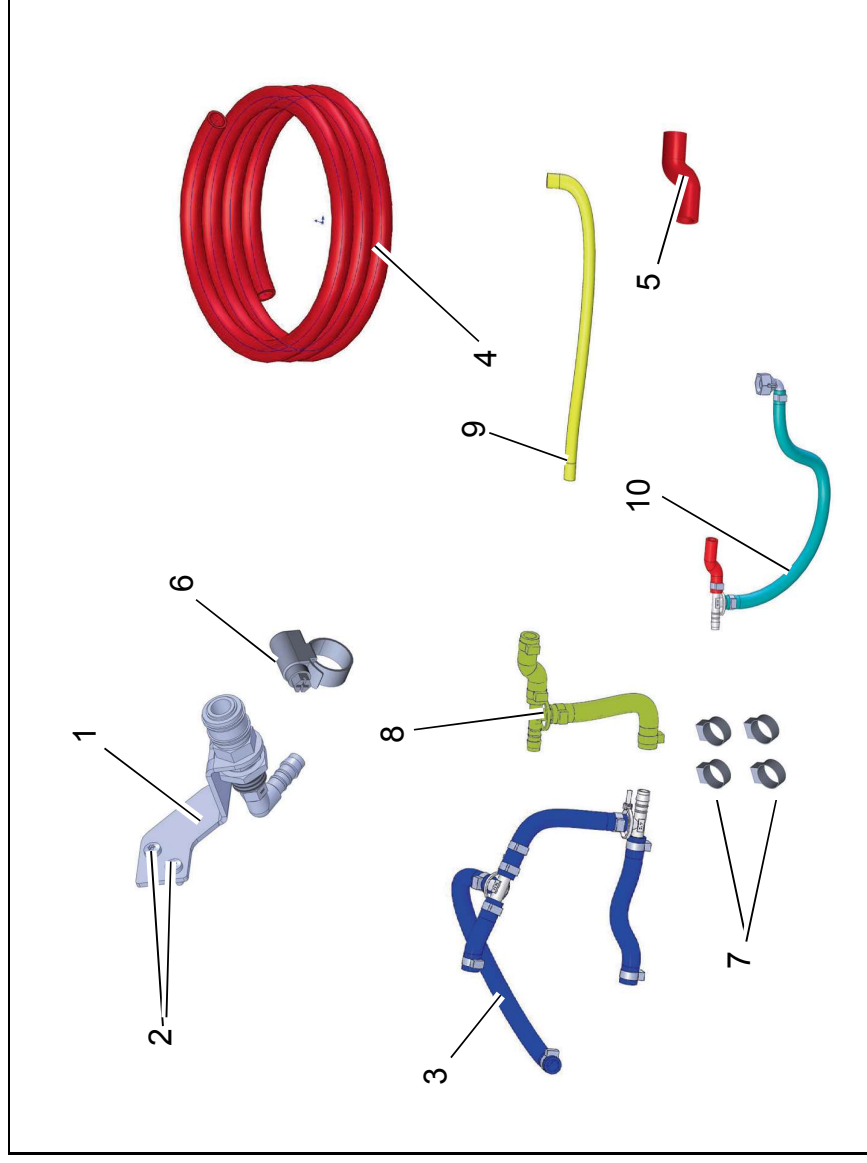


Fig. 1

Water connection

1.2 Fitting of pre-assembled hose to water system

Shut off the water supply before installation (Fig. 2/1)!

Installation without on-board dosing system

1. Remove hose between fresh water filter and water pump (Fig. 2/2).
2. Remove hose between water pump and solenoid valve (Fig. 2/3).
3. Fit pre-assembled hose (Fig. 1/3) as shown in (Fig. 2/4).
4. Secure hose ends with hose clamps.
5. Fit pre-assembled hose (Fig. 1/8) as shown in (Fig. 2/5).
6. Fix the T-piece to the metal sheet with cable ties (Fig. 2/6).

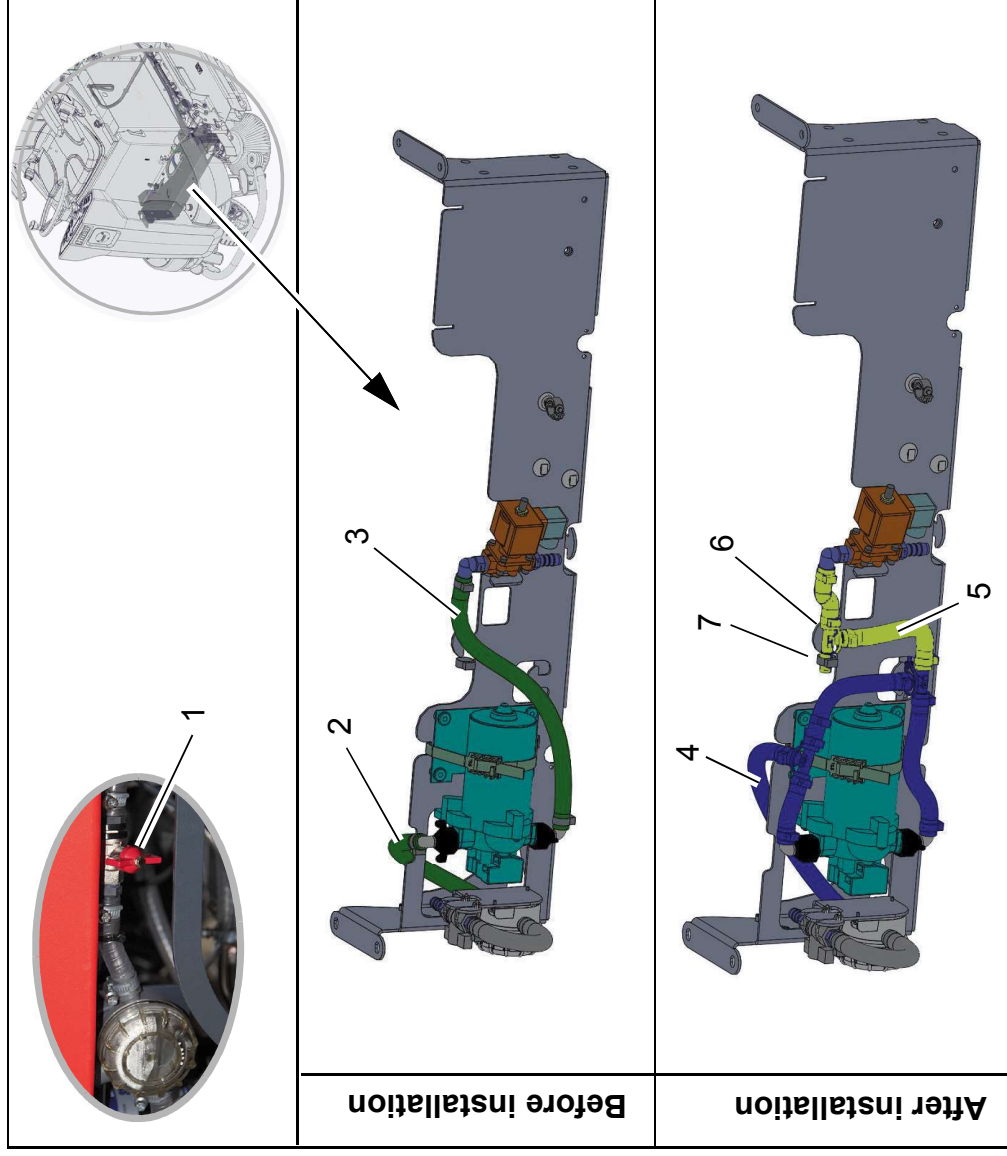


Fig. 2

Installation with on-board dosing system

1. Remove hose between fresh water filter and water pump (Fig. 3/1).
2. Remove hose between solenoid valve and elbow union of the dosing system (Fig. 3/2).
3. Remove hose between water pump and dosing system flow sensor (Fig. 3/3).
4. Fit the red and turquoise coloured hose (Fig. 3/4) between solenoid hose and flow sensor.
5. Fix the T-piece to the metal sheet with cable ties (Fig. 3/5).
6. Fit the blue colored, pre-assembled hoses as shown in the picture (Fig. 3/6).
7. Fit the yellow hose (Fig. 3/7) between T-piece and flow sensor. Secure hose-ends with two hose clamps 18-8 W4.

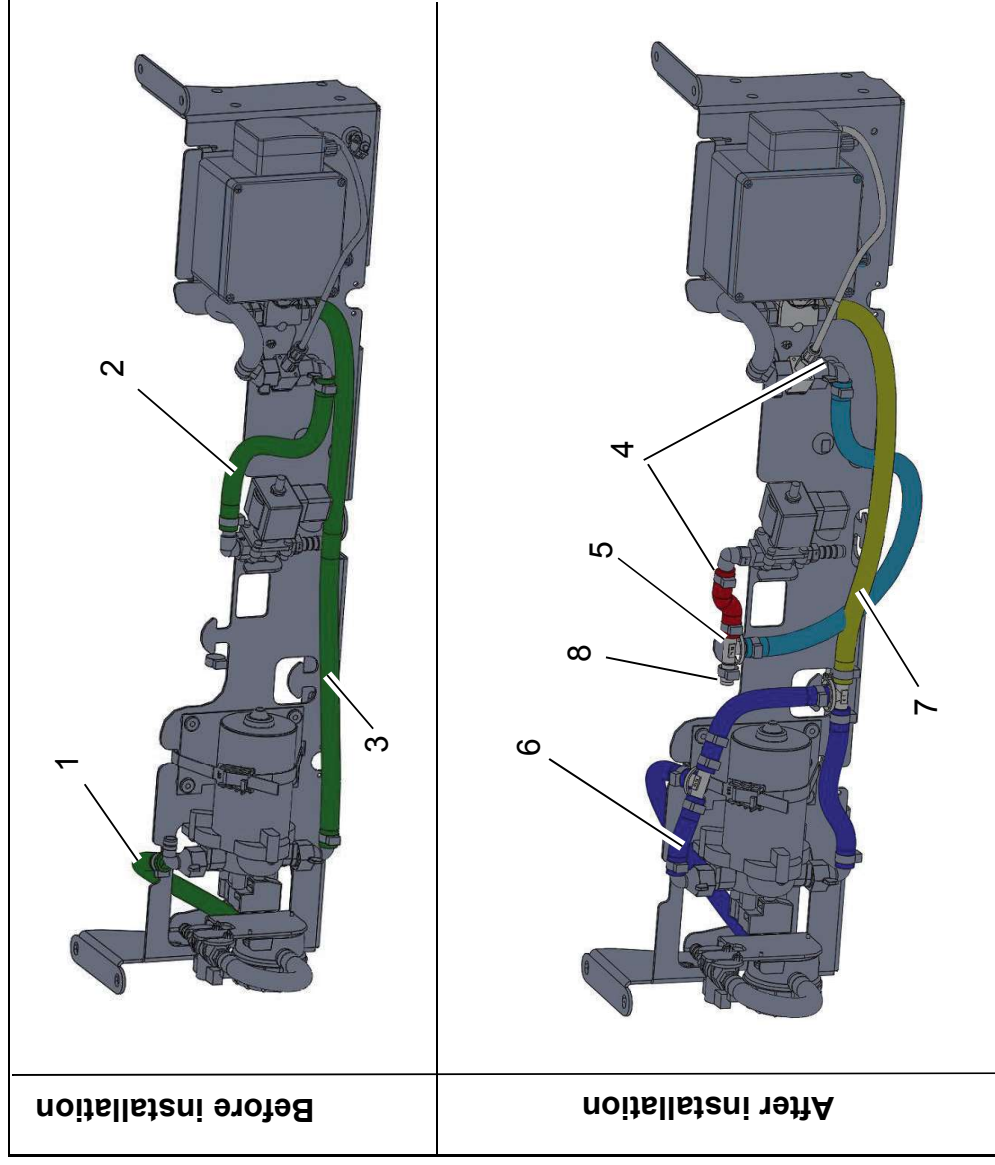


Fig. 3

Water connection

1.3 Tool connection installation

Secure pre-assembled tool connection (Fig. 4/1) to the bracket of the machine with the flanged button head bolts M5x12 (Fig. 4/2).

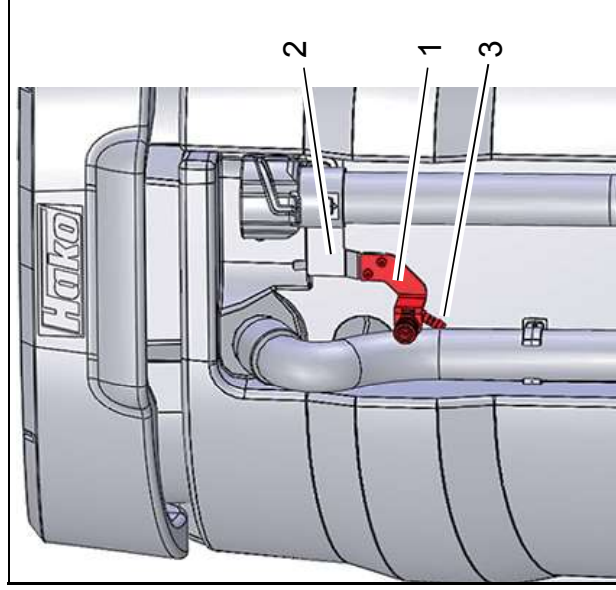


Fig. 4

1.4 Installation of hose between tool connection and water supply

1. Fit hose (Fig. 1/4) to tool connection (Fig. 4/3) and secure with hose clamps A-12 W1-2 (Fig. 5/1).
2. Clamp hose between tank and hose holder (Fig. 5/2).
3. Lead hose into chassis at bottom of machine (Fig. 5/3).
4. Lead hose over rear wheel support (Fig. 5/4).
5. Continue to lead hose as shown in fig., then attach to water connection (Fig. 2/7) or (Fig. 3/8).
6. Fix hose to chassis (Fig. 5/5) and elbow union of water pump (Fig. 5/6) with cable ties.

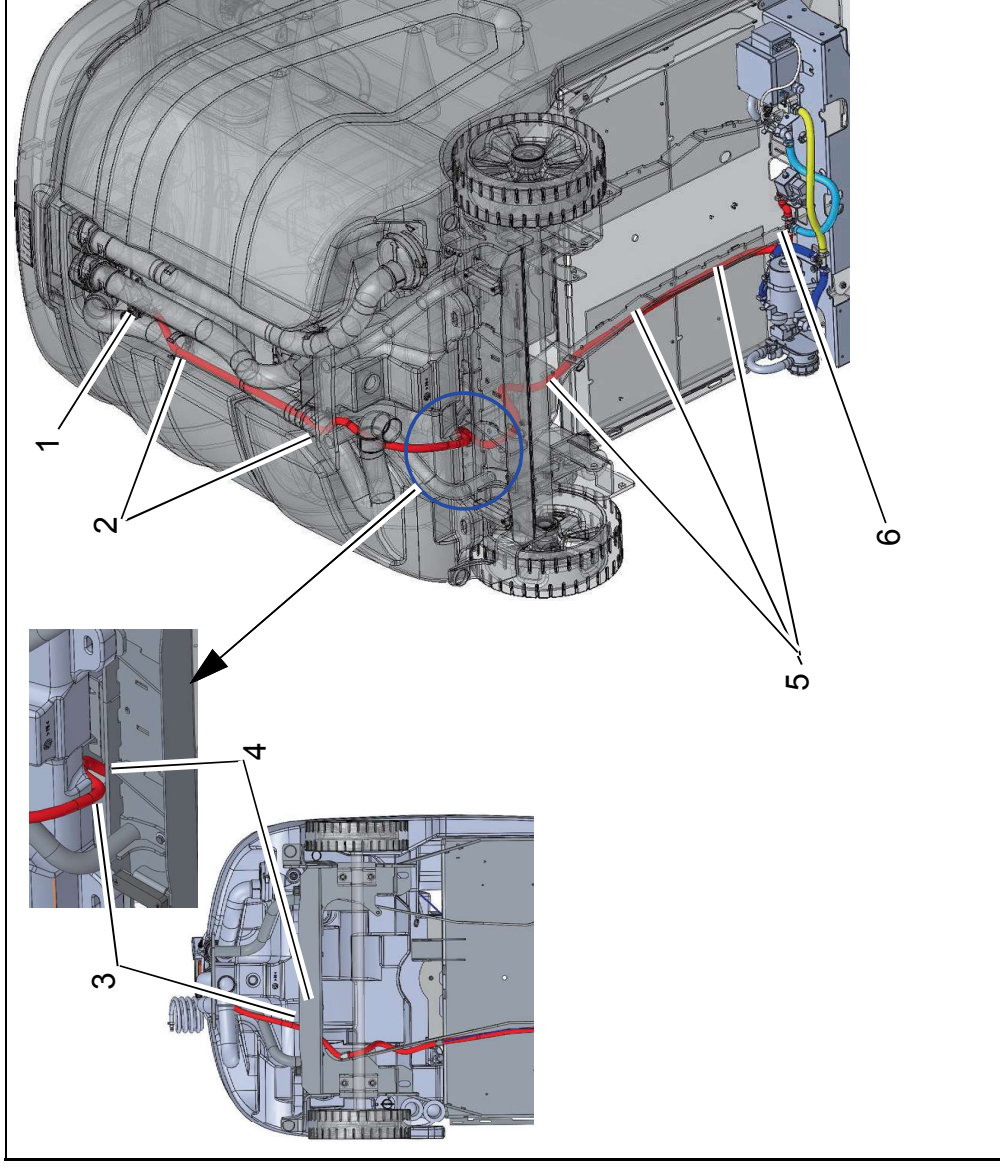


Fig. 5

Water connection

1.5 Setting in the configuration menu

The spray nozzle and spray suction tool options must be activated using the configuration menu.

Option	Value
Spray nozzle (7009.35)	1. B. 1.
Spray suction tool (7009.10)	1. 3. 1.

Requirements:

- Batteries inserted
- 4-digit code or diagnosis plug 97097737 present

If diagnosis plug is used:

Plug diagnosis plug into slot X20 of controller A1 (Fig. 6/1).

Setting:

1. Turn on the machine.
2. Select the arrow soft key (Fig. 6/3) on the control panel using the turn-push knob (Fig. 6/2) and press to access the sub-menu.
3. Select the configuration menu in the sub-menu (Fig. 6/4).

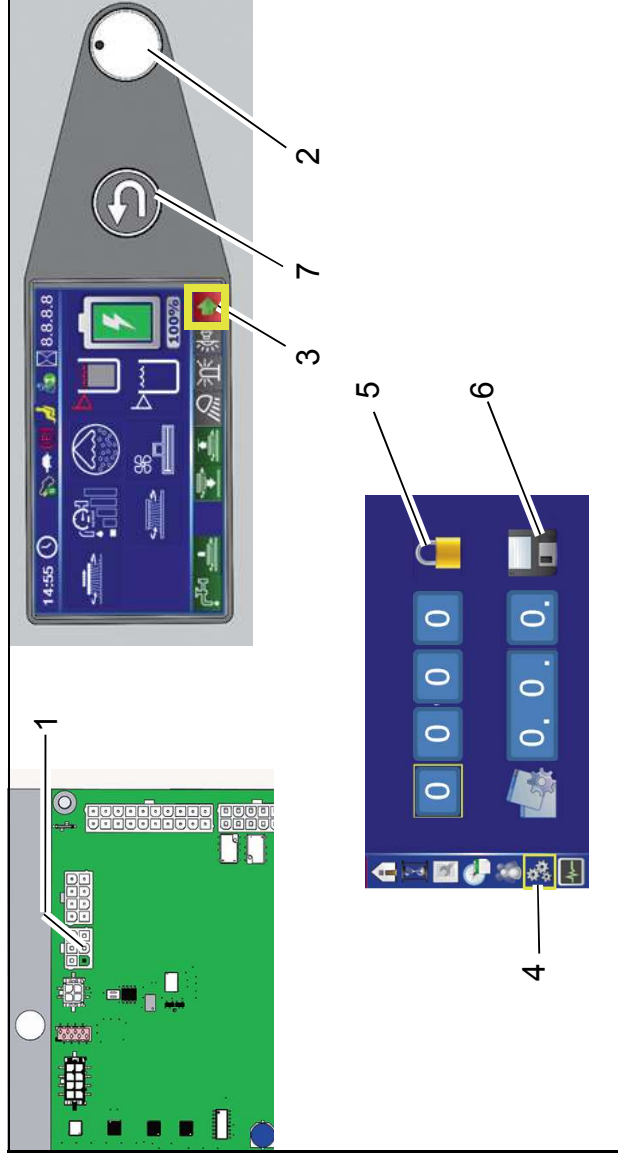
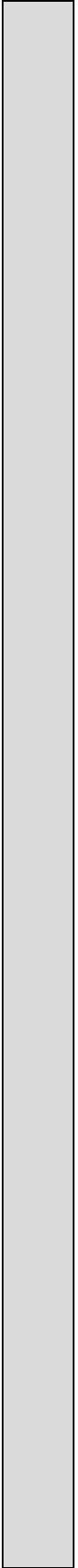


Fig. 6

5. In the configuration menu at the bottom (Fig. 6/6), set the value of the option and save by pressing the turn-push knob. After confirming the last digit, OK? appears. Press the turn-push knob again to save the value. Saved value is displayed in green.
If the value is not to be saved, exit menu using the return key (Fig. 6/7).
4. Enter the 4-digit code in the configuration menu at the top (Fig. 6/5):
 - Rotate the turn-push knob until the required field is reached.
 - Press the turn-push knob, then rotate to set the value.
 - Press again to save the value.
Alternatively, use the diagnosis plug!





Clean ahead

Advanced Technology for a Cleaner, Better Environment



Hako GmbH · Head Office · Hamburger Str. 209-239 · 23843 Bad Oldesloe, Germany
Phone +49 4531 806-0 · Fax +49 4531 806-338